

NO DOWN  
PAYMENTS  
FOR 2020



# Wood burning fires and stoves

2020/2021



 Dik Geurts

## Lovers of the real wood fire

The name Dik Geurts has been synonymous with craftsmanship and design ever since the company was founded, and over the past 40 years it has become a household name in the fireplace world. Since 2007 Dik Geurts has been fully integrated in DRU Verwarming B.V., an innovative company that has guaranteed top quality for centuries.

In addition to being designers, we at Dik Geurts are particularly fond of the real wood fire. In our factory in Duiven, The Netherlands, we work hard every day on the quality and ease of operation of our stoves and fires. With this brochure, we would like to show you how the combination of simplicity, experience and knowledge leads to beautiful fires and the most beautiful flames.

<b>ENVIRONMENT</b> Wood firing and aeration	<b>4</b>
<b>WOOD STOVE TECHNOLOGY</b> Ingenious technology, simple to use	<b>8</b>
<b>DESIGN FIRES</b> 2-Sided, Front and Tunnel	<b>10</b>
<b>WOOD AND MULTI-FUEL STOVES</b> 3-Sided and Front	<b>26</b>
<b>INSERT AND BUILT-IN FIRES</b> 3-Sided, 2-Sided, Front and Tunnel	<b>46</b>
<b>CENTRAL HEATING FIRES</b> Front fireplaces	<b>66</b>
<b>TECHNICAL DATA</b> Dimensions, connection options and characteristics	<b>68</b>

### Icons used



**kW** | Output  
Page 6



**EA** | External Air  
Page 7



**IR** | Infrared  
Page 9



**RS** | Room Sealed  
Page 7





Save on wood,  
fine dust and  
the environment



All wood burning stoves and fires in the Dik Geurts range have a particularly high efficiency. A higher temperature is reached in these closed and clever woodburners, and as a result combustion is much more complete and efficient. Even residual soot particles are fully burned, so you save on wood, emit less particulate matter and soot particles, and thus protect the environment.



### EcoDesign & Defra

From 1 January 2022, European legislation sets requirements for the minimum efficiency of a stove and the maximum emission of particulate matter. All our fires and stoves already comply with this legislation and carry the EcoDesign 2022 label. Several Dik Geurts fires and stoves are also Defra approved for UK smoke controlled areas. These can be recognised by the quality mark.



### Climate neutral

In principle, heating with wood is CO<sub>2</sub> neutral. During the growth phase of a tree, CO<sub>2</sub> is absorbed from the air. When the tree is cut down and burned, the same amount of CO<sub>2</sub> is released into the atmosphere. In order to be able to remain climate neutral, sustainably sourced wood must be used. Therefore a new tree is planted for every tree that is cut down. This process ensures everything remains nicely in balance.

### Energy label

The Dik Geurts wood burning stoves are provided with an energy efficiency label. The greener the label, the better it is for the environment. Our stoves are all in the A-class or better.



# The right way to burn

## The best setup

With the so-called 'Swiss method' you can burn wood safely and cleanly. At the bottom of the stove you should place large logs, on top of which you should put small pieces of wood, and on top of those, firelighters. Replenish the heating space when all that is left is a glow bed. Place a number of logs with the cleft side down in the fire box and open the air supply.

## The right wood

The fuel must be sufficiently dry and suitable as firewood. Good firewood has a moisture percentage of 15%-20%. You should never burn waste wood such as chipboard or old railway sleepers, or treated wood. The combustion of waste or treated wood can produce toxic fumes. As well as being unsafe, this is also very harmful to the environment.



Scan the QR code for an explanation video about burning wood.

## The right output

The output of a wood burning fire or stove must match the space you want to heat. If you have a fire with too much output, the room will soon become too hot. You will then not be able to let the fire burn to its full capacity and this can cause odour nuisance or extra pollution of the chimney. If the power is too low, you run the risk that the fire will not heat the room enough. This is especially annoying when the fire has an important function in the heating of your home. Dik Geurts offers a wide range of stoves and fires for larger and smaller rooms. Because Dik Geurts fires can also be fired at low power (4 kW), they are extremely suitable for use in spring or autumn.



**kW** (Output, indicated in kilo Watt).

## External air

Insulation of houses is improving more and more these days. To ensure that sufficient fresh air enters the house, ventilation systems are often installed. Depending on the situation in your home, you may need a specific type of connection (EA or RS) to feed air to the fire. The Dik Geurts EA fires can be fitted with an outside air connection. This way hardly any oxygen is taken out of your house. There are also RS fires with an outside air connection, which take the air for combustion almost completely from outside. These fires are ideal for very modern, airtight houses.



**EA** ('External Air'), used in neutral or overpressure situations. The vast majority of oxygen for combustion comes from outside.

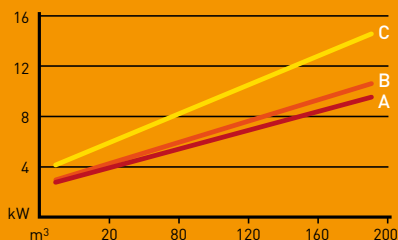


**RS** ('Room Sealed'), used for underpressure in the living room. Oxygen for combustion comes almost entirely from outside.



## Calculate output

Calculate the content of the space you want to heat (length x width x height). Next, it is important to make get an idea of the extent to which your house is insulated. For example, do you have double-glazing and wall and floor insulation everywhere? Then your home belongs to type A. Is your home not optimally insulated, without double-glazing in every window? Then your home belongs to type B. Is your home poorly insulated and with no double-glazing? Then your home belongs to type C. Knowing this you can see in the graph below what capacity (in kilowatts) is needed to heat your home.



## Warm heart for Uganda

At Dik Geurts we care for the world around us, and human beings also deserve our attention. In our project 'A fireplace for you, a future for her', part of the proceeds from our fires is used to provide women in Uganda with a microcredit for a tree plantation.







Thoughtful  
technique,  
simple  
to use

A Dik Geurts wood stove is not just a cabinet in which you can burn wood. It is a thoughtfully-designed device that ensures efficient and clean combustion at a high efficiency. Our fires and stoves have a closed combustion chamber (so no grate) that provides good insulation, and the flue gases that are released during combustion are led outside via an ingenious labyrinth.

### Simple operation

Dik Geurts fires and stoves are easy to operate. They have a single lever to regulate the surprisingly sophisticated air supply. Thanks to this, Dik Geurts fires and stoves ignite very easily.

### Infrared glass

At Dik Geurts we use infrared glass for a number of our fires and stoves to circulate the heat in the fire box. This gives a higher efficiency, retains the heat in the fire and as a result the glass stays clean much longer.



### Vermiculite

The combustion chambers of all Dik Geurts fires are insulated with heat-retaining vermiculite. For a nice contrast with the yellow flames, the vermiculite in the combustion chamber of our design fires is coloured dark anthracite.

### Floor plates

For a complete set-up and extra protection of the floor, we offer round, rectangular and square floor plates. Finished in dark anthracite steel and available in different sizes.

**A Dik Geurts wood stove always has a high efficiency, low emissions of CO<sub>2</sub> and fine dust and ultimate fire control. Guaranteed.**

Simple operation: just one lever



Optional floor plate





Design fires

The eye-catcher  
for every interior





A design fire gives your home character and can be the beating heart of any interior. The Dik Geurts design fires can seem to float in space and at the same time form a natural unity with the rest of the room.

Page  
12



**ODIN**

Front, Fixed  
Front, Plateau  
Front, Wall  
Tunnel, Fixed  
Tunnel, Plateau

Page  
16



**BORA CORNER**

Cubes  
Fixed  
Floating Plateau  
Straight Plateau  
Wall

Page  
20



**BORA**

Wall  
Fixed  
Console  
Cover  
Flex

Page  
24



**TORNADO**

Straight  
Oblique

# Odin

## Function and design go hand in hand perfectly

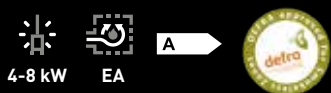
The unique, round design not only makes the Odin a real eye-catcher, but its shape also makes for a great flame picture.

- Faster warmth while environmentally friendly
- Unique round glass window
- Hanging, on a plateau or on the wall



### Odin Front, Fixed

Efficiency 75,2%  
WxDxH 606x380x606 mm



4-8 kW

EA

### Odin Front, Wall

Efficiency 75,2%  
WxDxH 606x415x606 mm

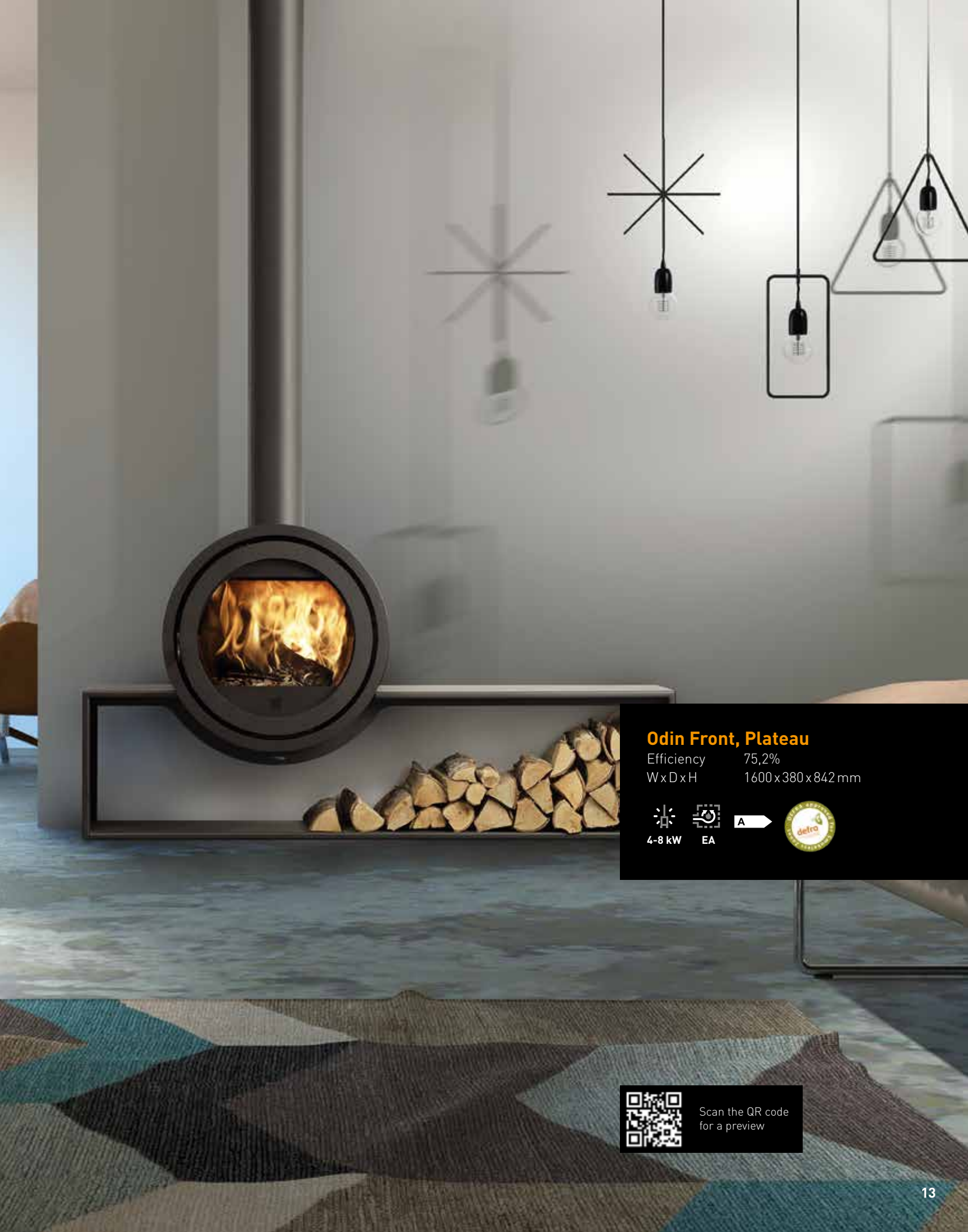


4-8 kW

EA







### Odin Front, Plateau

Efficiency 75,2%  
WxDxH 1600x380x842 mm



4-8 kW



EA

A



Scan the QR code  
for a preview



### Odin Tunnel, Fixed

Efficiency 75,0%

WxDxH 606 x 400 x 606 mm



6-10 kW

EA



Scan the QR code  
for a preview



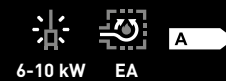


Ultimate fire  
experience with  
two-way visibility  
and warmth



**Odin Tunnel, Plateau**

Efficiency 75,0%  
WxDxH 1600x400x842 mm



6-10 kW EA





# Bora Corner

## Robust cube with double-sided fire view

The two-sided glass window of the Bora Corner design fires gives a beautiful fire view. Hanging in the room or standing on a plateau, the Bora provides warmth and atmosphere throughout the area.

- Choose a left or right version
- Design fireplace for any position in the house
- Wide output range, optimally adjustable

### **Bora Corner, Cubes**

Efficiency 78,1 %  
WxDxH 625x577x1030 mm



Scan the QR code  
for a preview



### Bora Corner, Fixed

Efficiency 78,1 %  
 WxDxH 505x410x510 mm



Scan the QR code  
 for a preview

### Bora Corner, Floating Plateau

Efficiency 78,1 %  
 WxDxH 1200x450x829 mm



Scan the QR code  
 for a preview





Scan the QR code  
for a preview

### Bora Corner, Straight Plateau

Efficiency 78,1 %  
WxDxH 1500x450x879 mm



4-9 kW



IR



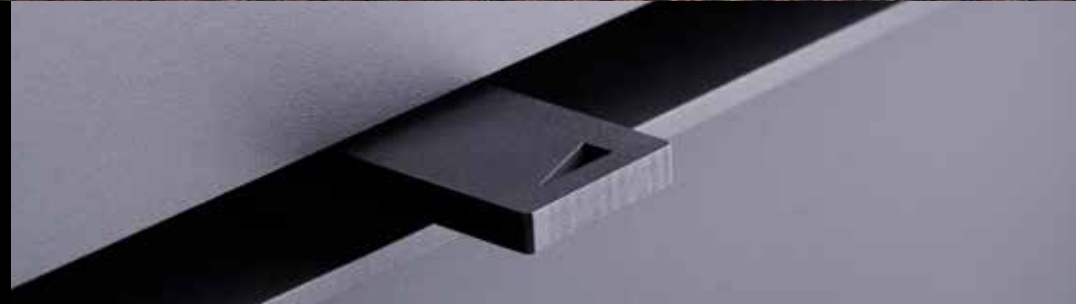
EA



RS



A



Plateau for wood  
storage is available  
in different sizes





### Bora Corner, Wall

Efficiency 78,1 %  
WxDxH 505x448x510mm



4-9 kW



IR



EA



RS



Scan the QR code  
for a preview

# Bora

## Robust cube with atmosphere

The Bora range provides a beautiful square fire view. Wall-mounted or hanging in the room, with or without canopy, the Bora adds a solid design in every room.

- Available in 5 options to fit any position
- Hanging fires can be rotated for 360 views (optional)
- Integrated door handle and air slide

### Bora Wall

Efficiency 84,0%  
WxDxH 510x470x510 mm



4-8 kW



EA

A+



installation idea





**Bora Fixed**

Efficiency 84,0%  
WxDxH 510x450x510mm

  
4-8 kW

  
EA

**A+** 





**Bora Console**

Efficiency 84,0 %  
WxDxH 510x468x510mm

    
4-8 kW EA



### Bora Flex

Efficiency 84,0 %  
WxDxH 510x450x510 mm



4-8 kW



EA

A+ →



### Bora Cover

Efficiency 84,0 %  
WxDxH 510x468x510 mm



4-8 kW



EA

A+ →



# Tornado

## Design your flue in any colour

With a side glass pane the Tornado fires provide an additional view of the log fire. Next, the custom made flue cover, straight or slanting is available in every RAL colour to match your interior perfectly.

- Custom made flue cover included upon request
- Available in left and right side glass versions
- Designed by Kees Marcelis

### **Tornado Straight**

Efficiency 84,0%  
WxDxH 544x465x510 mm



A+

4-8 kW





### **Tornado Oblique**

Efficiency 84,0%  
WxDxH 544x465x510mm



4-8 kW

**A+** →



Wood and multi-fuel stoves

Highlight of  
atmosphere  
and warmth

A long gaze into dancing flames, the cosy sound of a real crackling fire and the warmth from a natural source. With a Dik Geurts wood fire you bring the old-fashioned cosiness of a campfire to your living room.

Page  
28



**VIDAR**  
Triple  
Wall

Page  
30




**KALLE**

Page  
31



**FOLKE**

Page  
32



**MODIVAR 5**  
Store Front  
Store Corner  
Floating Plateau  
Straight Plateau

Page  
36




**ASTE 5**

Page  
37




**LARS**  
1000

Page  
38



**IVAR**  
5, Low  
5, High  
5, Store  
8, Low  
8, Store

Page  
44



**JANNIK**  
Medium, Low  
Medium, High  
Large



# Vidar

## Great flame picture and very high efficiency

The Vidar stoves are equipped with heat-reflecting infrared glass that provides a remarkably high efficiency of 88% and clean windows during firing. Combine that with a huge window surface and you are guaranteed to have a great view of the flames.

- High efficiency stove (88%)
- Heat reflective infrared (IR) glass
- Thanks to wide output range also suitable for smaller living rooms

### Vidar Triple

Efficiency 88,0%  
WxDxH 662x410x850 mm



Scan the QR code  
for a preview



### Vidar Wall

Efficiency 88,0%  
WxDxH 662x430x535mm



4-9 kW



IR



EA

A+ 



Scan the QR code  
for a preview

# Kalle

Extra large  
windows for  
optimum  
fire view

The Kalle is an industrial wood burning stove with a handy wood compartment under the fire box. The three large windows provide a magnificent view of the flames.

- Tight freestanding wood burning stove with wood storage
- Fire view from three sides
- Economical in use due to very high efficiency (85%)



## **Kalle**

Efficiency 85,0%  
WxDxH 546x415x1000 mm



4-8 kW



EA

A+ →



Folke



**Folke**

Efficiency 77,3%  
WxDxH 476x410x1000 mm

4-8 kW IR EA RS A+

Thanks to the Folke's three-sided fire view, you can enjoy the lively flames even more. The wood compartment underneath the fire box gives this stove a rustic and atmospheric look, even when the stove is not burning.

- Unique air slide
- Heat reflective (infrared) side windows
- Suitable for mechanically ventilated and passive houses

Atmospheric,  
even when  
the stove is  
not burning

# Modivar 5

## Tight shapes and ultimate fire control

Thanks to their sleek shapes and dark steel, Modivar stoves are ideal for a modern interior. If you are looking for something really special then a floating plateau is worth it.

- Ultimate fire control thanks to simple air slide
- Integrated door handle
- Choice of wood compartments and plateaus

### Modivar 5, Floating Plateau

Efficiency 82,0%  
WxDxH 1200x450x857 mm



4-7 kW



EA



RS

A+







### Modivar 5, Store Front

Efficiency 82,0%  
WxDxH 450x368x1000 mm



4-7 kW



EA



RS



A+



Scan the QR code  
for a preview





### Modivar 5, Store Corner

Efficiency 82,0%  
WxDxH 450x368x1000 mm

4-7 kW EA RS A+ 



Scan the QR code for a preview



### Modivar 5, Straight Plateau

Efficiency 82,0%  
WxDxH 1500x450x907 mm



4-7 kW



EA



RS

A+





# Aste 5

## Woodburning stove with rural countryside look

The compact Aste wood burning stove has a classic look thanks to its beautifully designed legs and a sturdy cast iron door.

- Classic look
- Cast iron door
- Low particulate emissions thanks to high-quality combustion



### Aste 5

Efficiency 82,0%  
WxDxH 486 x 350 x 555 mm  
Available with multi-fuel kit.



4,9-7 kW



EA



RS



A+



Scan the QR code  
for a preview



# Lars 1000



Scan the QR code  
for a preview

## Atmosphere, heat and slow-cooking

Above the glass window of the Lars 1000 wood burning stove there is a room that can be used as an oven. This stove offers atmosphere, warmth and also the possibility to prepare simple dishes.

- Unique oven at the top of the stove
- High efficiency
- Low particulate emissions thanks to high-quality combustion

### Lars 1000

Efficiency 82,0%  
WxDxH 448x348x1000 mm



4,9-7 kW



EA



RS



A+



# Ivar 5

## Versatile source of atmosphere for the real enthusiast

The Ivar series is recognisable by the sleek cast iron door that offers a full view of the flames. Ivar stoves combine a compact and stylish appearance with the technically advanced combustion process for which Dik Geurts is known.

- Removable 'cold' handle
- Suitable for installation in existing spaces
- Wide output range & extremely low emissions





### Ivar 5, Low

Efficiency 82,0%  
WxDxH 450x350x555 mm  
Available with multi-fuel kit.



4,9-7 kW



EA



RS



A+







### Ivar 5, High

Efficiency 82,0%  
WxDxH 450x350x660 mm  
Available with multi-fuel kit.



Cast iron door with  
removable handle



### Ivar 5, Store

Efficiency 82,0%  
WxDxH 450x350x850 mm  
Available with multi-fuel kit.



4,9-7 kW



EA



RS



A+






# Ivar 8



## Ivar 8, Low

Efficiency 76,6%  
WxDxH 540x350x555 mm  
Available with multi-fuel kit.

5-10 kW EA RS A 



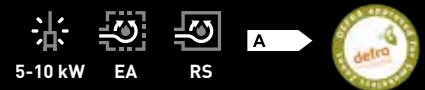
Scan the QR code  
for a preview





### Ivar 8, Store

Efficiency 76,6%  
WxDxH 540x350x850 mm  
Available with multi-fuel kit.



Large glass  
window with wide  
view of the fire



# Jannik

## Strikingly beautiful details, typically Dik Geurts

With the stoves in the Jannik series you recognise the robust details that are typical for the designs of Dik Geurts. Clean lines, sturdy hinges and a unique, slim handle. This handle provides easy access to the inside of the stove.

- Unique handle
- Wide power range
- Economical firing due to high efficiency of 87%



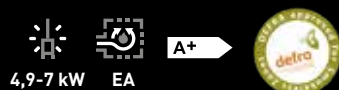
### Jannik Medium, High

Efficiency 82,0%  
WxDxH 550x375x900 mm



### Jannik Medium, Low

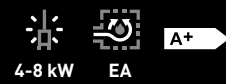
Efficiency 82,0%  
WxDxH 550x375x680 mm





### Jannik Large

Efficiency 87,0%  
WxDxH 620x380x780 mm



4-8 kW

EA





Inserts and built-in fires

More atmosphere,  
more efficiency,  
fewer emissions

Inserts are designed for installation in an existing situation. When converting or renovating, an old fire can be replaced easily by a modern and environmentally friendly fire with a higher output. Built-in fires are placed predominantly in new situations.

Page  
50



**INSTYLE**  
Triple 660 Low

Page  
51



**INSTYLE**  
Tunnel 700

Page  
51



**PROSTYLE**  
Tunnel 700

Page  
52



**INSTYLE**  
Corner 660 High  
Corner 660 Low  
Corner Slim 660/495

Page  
56



**INSTYLE**  
500  
550  
600  
650  
700  
800  
1000

Page  
58



**PROSTYLE**  
500  
550  
600  
650  
700  
800  
1000

Page  
60



**VISION**  
80  
100

Page  
62



**INSTYLE/PROSTYLE**  
600V  
700V  
800V  
1000V

# Instyle & Prostyle

## Inserts and built-in fires for every interior

Dik Geurts has a wide range of inserts and built-in fires. Tunnel fires, 3-sided fires, fires with an extra large glass window and different kinds of frames; we have a suitable fire for every interior.

The Instyle fires have a completely clear glass window. The Prostyle range with screen-printed glass are made for an even more beautiful view of the fire.



**Instyle**  
Clear glass window

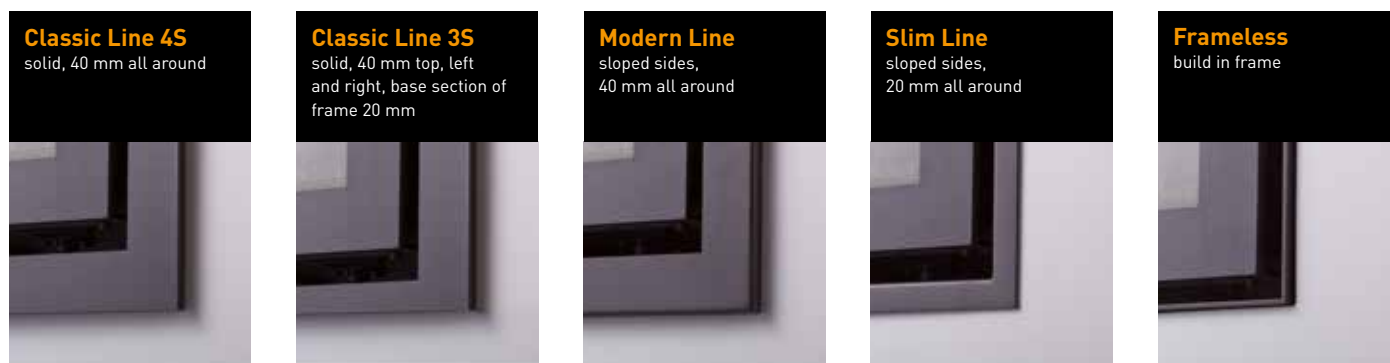


**Prostyle**  
Black screen-printed glass



## Frames for front and tunnel fires

Instyle and Prostyle 500, 550, 600, 650, 700, 800, 1000, Tunnel



Frame type		Instyle/Prostyle						
		500	550	600	650	700-Tunnel <sup>1)</sup>	800	1000
Classic Line 4S	WxH	580x537	587x617	660x537	710x552	760x657	860x637	1060x637
Classic Line 3S	WxH	580x517	n/a	660x517	710x532	n/a	n/a	n/a
Modern Line	WxH	580x537	587x617	660x537	710x552	760x657	860x637	1060x637
Slim Line	WxH	540x497	547x577	620x497	670x512	720x617	820x597	1020x597
Build in 3mm	WxH	600x557	607x637	680x557	730x572	780x677	880x657	1080x657
Build in 8mm	WxH	n/a	n/a	600x477	650x492	700x597	n/a	n/a

<sup>1)</sup> Frames on the Tunnel can be combined.

## Frames for fires with fans

600V, 700V, 800V, 1000V



Frame type		Instyle/Prostyle V			
		600V	700V	800V	1000V
Classic Line	WxH	660x649	760x769	860x749	1060x749
Modern Line	WxH	660x649	760x769	860x749	1060x749

## Custom-made solutions

The Dik Geurts product options are extensive. Yet it may be that nothing fits. The opening is too high, deep or indeed too shallow. But, there is a solution! We can produce a custom-made insert fire for you at a small additional charge. Sometimes all that's needed is a small modification to the frame. The custom-made fires are available in front, corner, triple and tunnel models.

### Operating procedure

Your Dik Geurts dealer will take all the necessary measurements and will complete the special custom-made form. We will then draw the fire as per the requested dimensions. Once this has been verified, we commence production of your custom-made fire. Delivery time on average is 4-6 weeks.

### Custom-made insert fires

Instyle Front 500-1000 range, Corner 660 Low/High, Triple 660 Low, Tunnel 700.

- Max. 10% deviation
- Classic Line frame 4S included

### Custom-made frames

Instyle/Prostyle Front 500-1000 range, Tunnel 700.

- Solid frames Classic Line 4S
- Width 12-100 mm

# Triple

## Three sided glass and three sided fire

To ensure the highest possible efficiency, this insert is fitted with side windows with heat-reflecting infrared glass. This fire is only 49.5 cm high and therefore ideal for installation in most existing fireplaces.

- High efficiency and clean windows
- Subtle corner bars for better fire vision
- Suitable for installation in existing situation

### **Instyle Triple 660 Low**

Efficiency 88,0%  
WxDxH 662x380x495 mm



# Tunnel



## Instyle Tunnel 700

Efficiency 83,0%  
WxDxH 760x550x657 mm



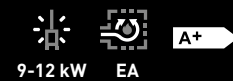
The see-through Instyle Tunnel 700 fire has a hinged glass door on two sides. Thanks to its high output, this fire is ideal as a room divider in larger rooms.

- Beautiful see-through tunnel
- High output up to 12 kW
- In RS version almost completely airtight

## Splendid fire from two sides

## Prostyle Tunnel 700

Efficiency 83,0%  
WxDxH 760x554x657 mm





# Corner

## Unique panoramic fire view

This two-sided wood burning stove is unique in the market due to its panoramic fire view. The glass panes are placed against one another in the corner. This continuous glass window, without a metal corner post between the two panes, provides a full view of the fire.

- Optimal view of the fire
- High efficiency (75,2%)
- Perfect for an existing chimney or new construction





### **Instyle Corner Slim 660/495**

Efficiency 75,2%  
WxDxH 660x350x495 mm



4-10 kW



EA



RS



Scan the QR code  
for a preview



Spacious  
insert  
with wide  
fire view

**Instyle Corner 660 High**

Efficiency 83,0%  
WxDxH 660x350x520 mm







### Instyle Corner 660 Low

Efficiency 83,0%  
WxDxH 660x350x495mm



4-9 kW



EA

A+ →

Front



**Instyle 550**

The Instyle/Prostyle series consists of a number of models with different sizes, all using the same modern Dik Geurts techniques. With an Instyle you are assured of optimal enjoyment of a quality fire.

- Environmentally conscious enjoyment of fire
- Multi-purpose insert and built-in fires
- Different styles of detachable frames
- Choice of different frame types

## Specially designed for existing situations

<p><b>Instyle 500</b></p> <p>Efficiency 82,0%</p> <p>WxDxH 580x350x537 mm</p>	<p><b>Instyle 550</b></p> <p>Efficiency 81,0%</p> <p>WxDxH 587x350x617 mm</p>	<p><b>Instyle 600</b></p> <p>Efficiency 79,6%</p> <p>WxDxH 660x360x537 mm</p>	<p><b>Instyle 650</b></p> <p>Efficiency 80,5%</p> <p>WxDxH 710x380x552 mm</p>
 <p>3-7 kW EA</p>	 <p>3-7 kW EA</p>	 <p>3-7 kW EA</p>	 <p>3-9 kW EA</p>
			
<p><b>Instyle 700</b></p> <p>Efficiency 81,6%</p> <p>WxDxH 760x400x657 mm</p>	<p><b>Instyle 800</b></p> <p>Efficiency 76,6%</p> <p>WxDxH 860x400x637 mm</p>	<p><b>Instyle 1000</b></p> <p>Efficiency 77,7%</p> <p>WxDxH 1060x400x637 mm</p>	
 <p>6-12 kW EA</p>	 <p>8-12 kW EA</p>	 <p>9-13 kW EA</p>	
			



# Front

Beautiful fire view  
thanks to screen-printed  
glass

<p><b>Prostyle 500</b></p> <p>Efficiency 82,0%</p> <p>WxDxH 580x344x537 mm</p> <p></p> <p>  </p> <p>3-7 kW EA</p> 	<p><b>Prostyle 550</b></p> <p>Efficiency 81,0%</p> <p>WxDxH 587x344x617 mm</p> <p></p> <p>  </p> <p>3-7 kW EA</p> 	<p><b>Prostyle 600</b></p> <p>Efficiency 79,6%</p> <p>WxDxH 660x354x537 mm</p> <p></p> <p>  </p> <p>3-7 kW EA</p> 	<p><b>Prostyle 650</b></p> <p>Efficiency 80,5%</p> <p>WxDxH 710x374x552 mm</p> <p></p> <p>  </p> <p>3-9 kW EA</p> 
<p><b>Prostyle 700</b></p> <p>Efficiency 81,6%</p> <p>WxDxH 760x394x657 mm</p> <p></p> <p>  </p> <p>6-12 kW EA</p> 	<p><b>Prostyle 800</b></p> <p>Efficiency 76,6%</p> <p>WxDxH 860x394x637 mm</p> <p></p> <p>  </p> <p>8-12 kW EA</p> 	<p><b>Prostyle 1000</b></p> <p>Efficiency 77,7%</p> <p>WxDxH 1060x394x637 mm</p> <p></p> <p>  </p> <p>9-13 kW EA</p> 	

**Prostyle 1000**



# Vision

The Vision fires are characterised by their windscreen design and the panoramic view this gives of the fire. Moreover, it is a compact, built-in wood fire with a slim depth of just 33 cms. The door comprises a screen-printed glass panel.

- Built-in fire including build in frame
- Upper chimney and convection connection
- Panoramic fire view



## Vision 80

Efficiency 84,6%  
WxDxH 930x330x580 mm







Panoramic view  
of the flames

**Vision 100**

Efficiency 84,6%  
WxDxH 1130x330x580 mm



7-10 kW



EA

A+

Ventilated



**Prostyle 700V**



# Fire insert with ventilating fan

These ventilated inserts are equipped with a ventilating fan, which heats a room faster. When switched on, a pleasant, warm airflow can be felt from the front of the fire or through the convection openings.

- Rapid heat dispersion
- Manual or automatic operation
- Different types of detachable frames



## Instyle 600V

Efficiency 79,6%  
WxDxH 660x385x649 mm



## Instyle 700V

Efficiency 81,9%  
WxDxH 760x425x769 mm



## Instyle 800V

Efficiency 76,6%  
WxDxH 860x425x749 mm



## Instyle 1000V

Efficiency 77,7%  
WxDxH 1060x425x749 mm



## Prostyle 600V

Efficiency 79,6%  
WxDxH 660x379x649 mm



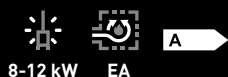
## Prostyle 700V

Efficiency 81,9%  
WxDxH 760x419x769 mm



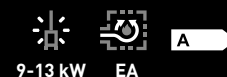
## Prostyle 800V

Efficiency 76,6%  
WxDxH 860x419x749 mm



## Prostyle 1000V

Efficiency 77,7%  
WxDxH 1060x419x749 mm





# Easy installation of the Instyle and Prostyle fires

The various connection options ensure that the stove is quick and easy to install, regardless of the installation situation. There are four options for flue gas extraction, for exact dimensions see page 73.

1. Connection without drain material to an existing chimney flue (sealing with ceramic wool)
2. Connection with flexible or fixed pipe (**Liner Kit Pro**), Ø 150 or 180 mm
3. Connection with rejuvenated pipe (**connection piece**), Ø 150 or 180 mm

## External air kit

Kit for supply of fresh air from outside.

- Ideal for fully insulated houses
- Optional at 500
- 1000V, 600V - 1000V, Tunnel (only base)
- For rear and base connection
- Dimensions: Ø 80 mm



## Linerkit Pro

Connection piece for flexible or rigid pipe.

- Optional with: 500 - 1000, 600V - 1000V, Corner, Triple, Tunnel
- Connectable from the inside of the fire
- Reducer with 3 screw holes
- Dimensions: Ø 150 mm, Ø 180 mm



## Connection piece

Connection piece for rejuvenated pipe.

- Optional at: 500 - 1000, 600V - 1000V, Corner, Triple, Tunnel
- Reducer with 3 screw holes
- Dimensions: Ø 150 mm, Ø 180 mm



## Convection kit

Connecting rings (2 pieces) for mounting on the convection holes.

- Optional with: 500 - 1000, 600V - 1000V, Tunnel
- For more heating power
- Dimensions: Ø 125 mm





### Easy air control

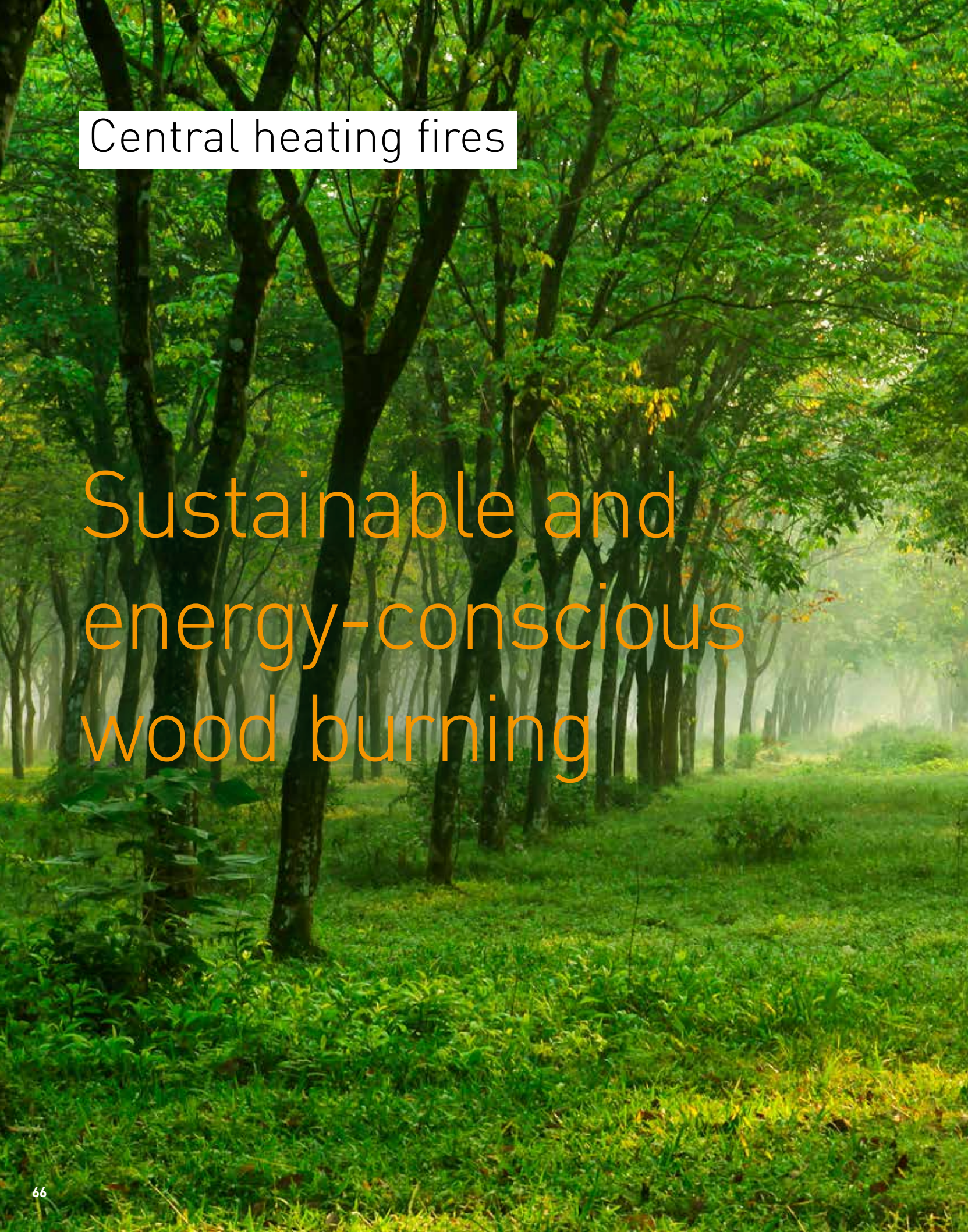
- At the front of the fire
- Both Instyle and Prostyle finishes

### Door lock

- Stable and flexible door closure
- The cord ensures a good seal
- The door is adjustable and exchangeable
- Kit for self-closing door optional for Instyle 500-1000 series and Instyle Tunnel







Central heating fires

# Sustainable and energy-conscious wood burning



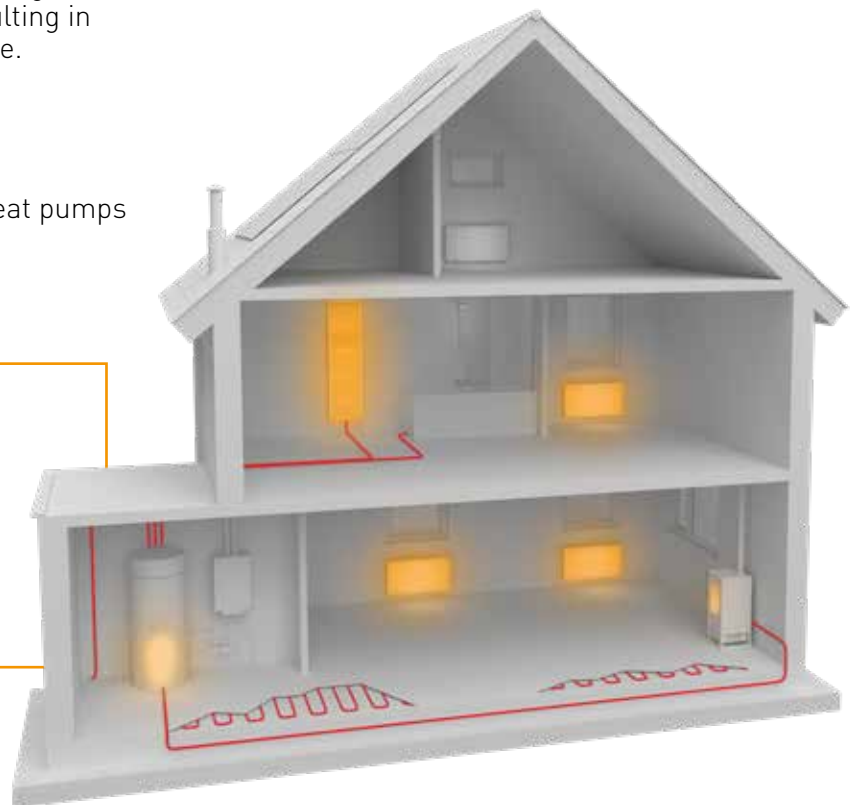
Green Design stands for sustainable, environmentally friendly and energy-conscious heating of fires and stoves connected to a central heating system.

Dik Geurts also supplies fires that you can connect to a central heating system, an environmentally friendly alternative way to heat your home. With these fires the hot flue gases are used to heat the water for your central heating system. Doing this means you get more efficiency from your fire or stove, resulting in a lower energy bill – and it's also sustainable.

- Environmentally friendly heating
- Durable/lower energy usage
- Suitable for any type of home
- Can be combined with solar panels and heat pumps
- Lower energy bill
- Maintenance friendly

**More info**

If you want to know more about Green Design or the operation of central heating fireplaces, go to [www.drufire.com](http://www.drufire.com). There you can also download a special Green Design brochure.

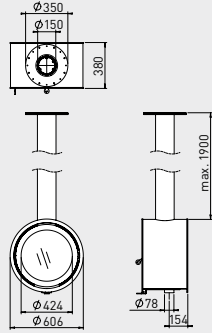


# Technical drawings

## DESIGN FIRES

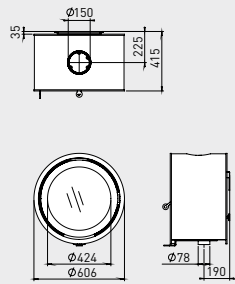
Odin Front

**Odin Front, Fixed**



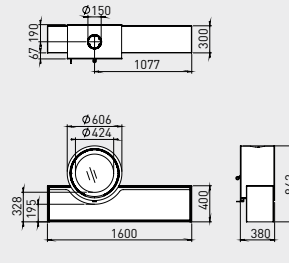
P. 12

**Odin Front, Wall**



P. 12

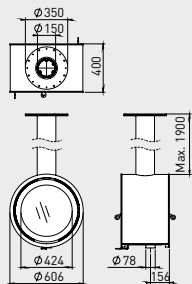
**Odin Front, Plateau**



P. 13

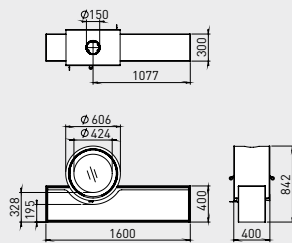
Odin Tunnel

**Odin Tunnel, Fixed**



P. 14

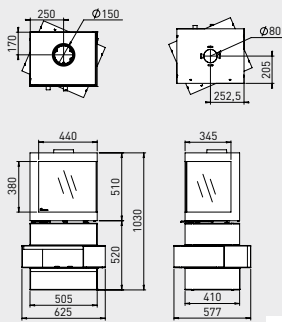
**Odin Tunnel, Plateau**



P. 15

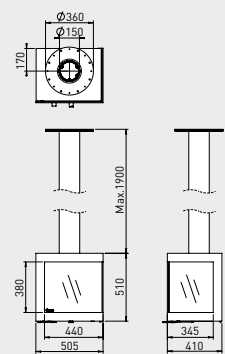
Bora Corner

**Bora Corner, Cubes**



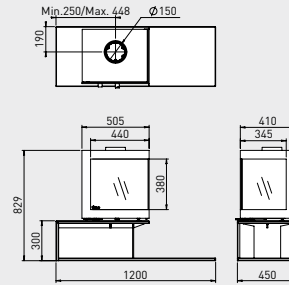
P. 16

**Bora Corner, Fixed**



P. 17

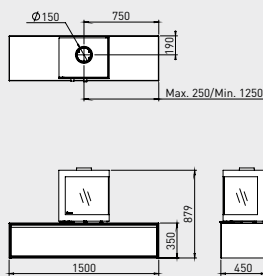
**Bora Corner, Floating Plateau**



P. 17

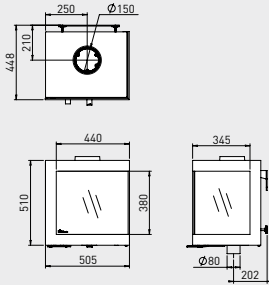
Bora Corner

**Bora Corner, Straight Plateau**



P. 18

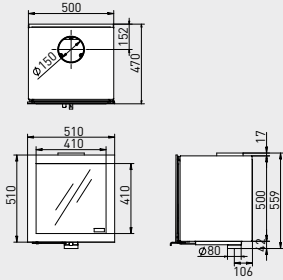
**Bora Corner, Wall**



P. 19

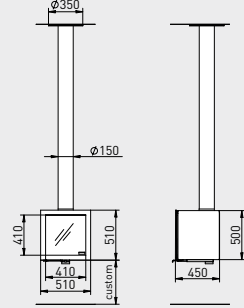
Bora

Bora, Wall



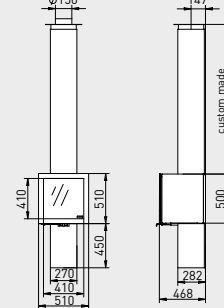
P. 20

Bora, Fixed



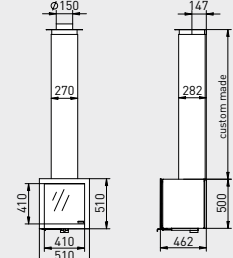
P. 21

Bora, Console



P. 22

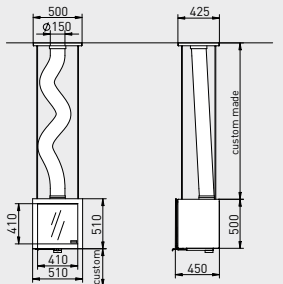
Bora, Cover



P. 23

Bora

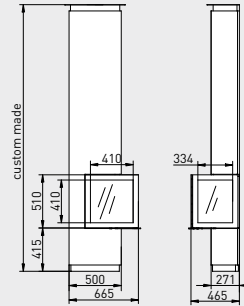
Bora, Flex



P. 23

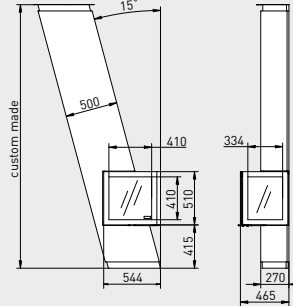
Tornado

Tornado Straight



P. 24

Tornado Oblique

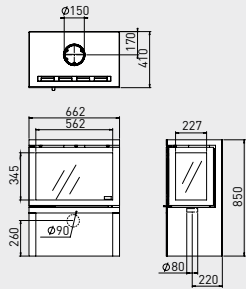


P. 25

WOOD AND MULTI-FUEL STOVES

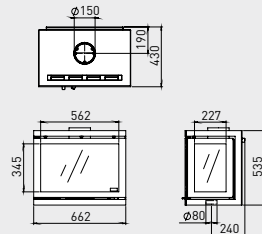
Vidar

Vidar Triple



P. 28

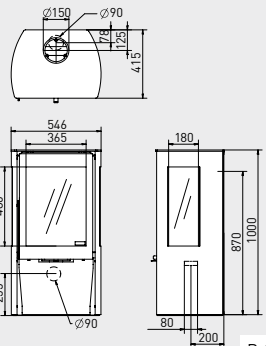
Vidar Wall



P. 29

Kalle

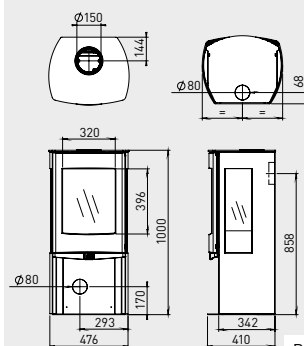
Kalle



P. 30

Folke

Folke

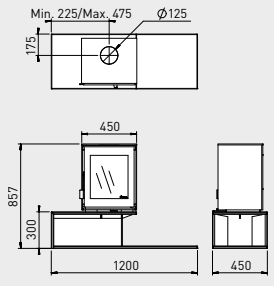


P. 31



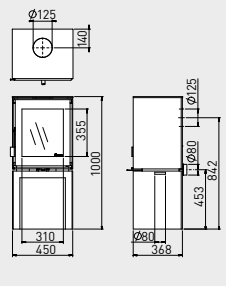
Modivar 5

Modivar 5, Floating Plateau



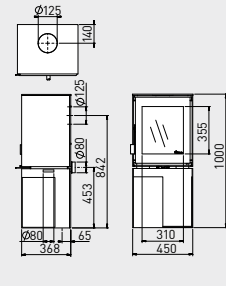
P. 32

Modivar 5, Store Front



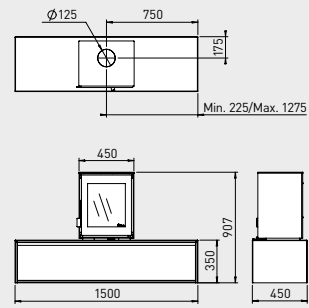
P. 33

Modivar 5, Store Corner



P. 34

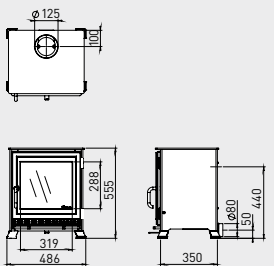
Modivar 5, Straight Plateau



P. 35

Aste 5

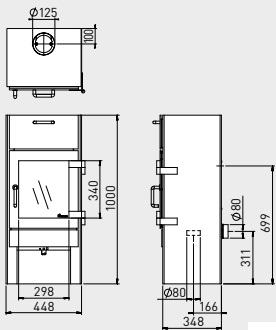
Aste 5



P. 36

Lars 1000

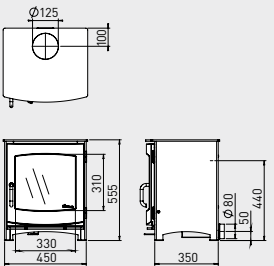
Lars 1000



P. 37

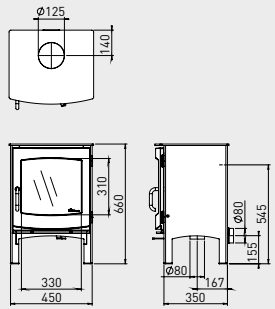
Ivar 5

Ivar 5, Low



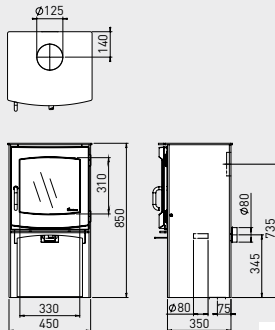
P. 38

Ivar 5, High



P. 40

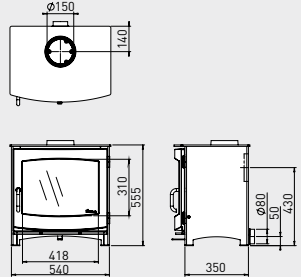
Ivar 5, Store



P. 41

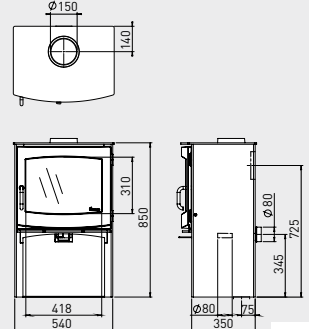
Ivar 8

Ivar 8, Low



P. 42

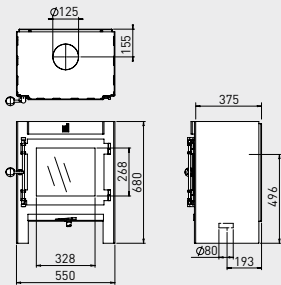
Ivar 8, Store



P. 43

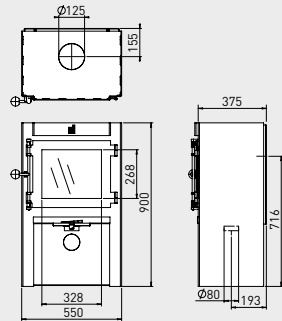
Jannik Medium

Jannik Medium, Low



P. 44

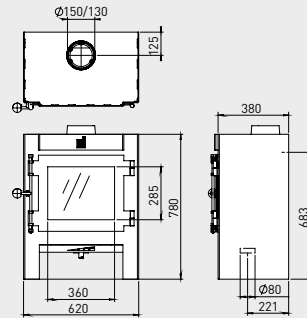
Jannik Medium, High



P. 44

Jannik Large

Jannik Large

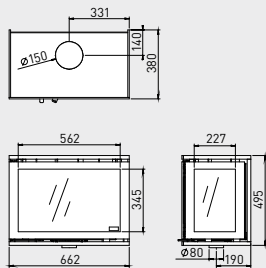


P. 45

INSERT-/BUILT-IN FIRES INSTYLE

Instyle Triple

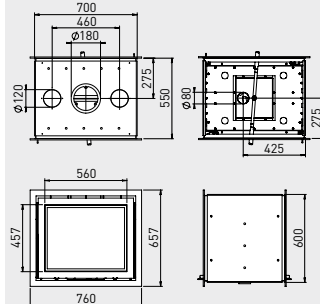
Instyle Triple 660 Low



P. 50

Instyle Tunnel

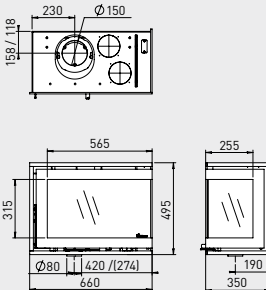
Instyle Tunnel 700 + Classic Line frame 4S



P. 51

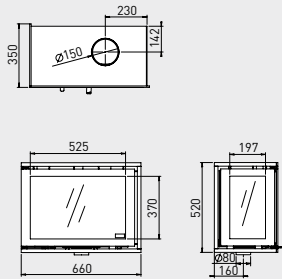
Instyle Corner

Instyle Corner Slim 660/495



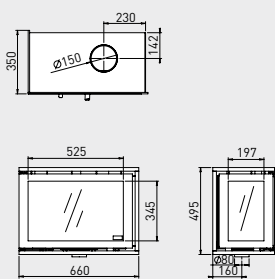
P. 53

Instyle Corner 660 High



P. 54

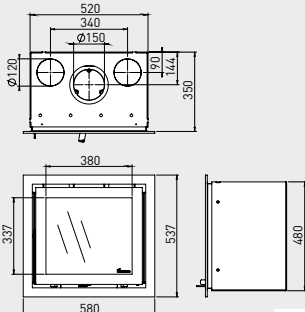
Instyle Corner 660 Low



P. 55

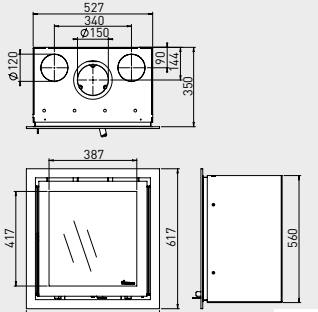
Instyle Front

Instyle 500 + Classic Line frame 4S



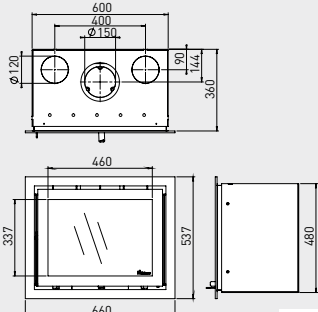
P. 57

Instyle 550 + Classic Line frame 4S



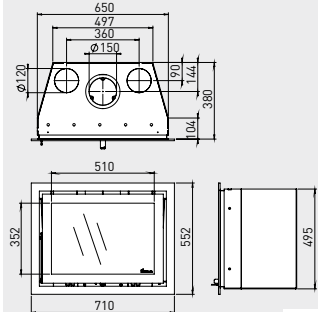
P. 57

Instyle 600 + Classic Line frame 4S



P. 57

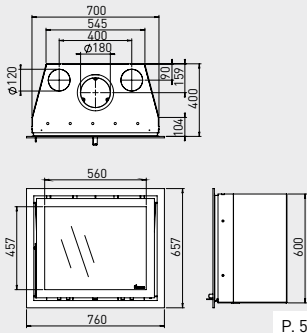
Instyle 650 + Classic Line frame 4S



P. 57

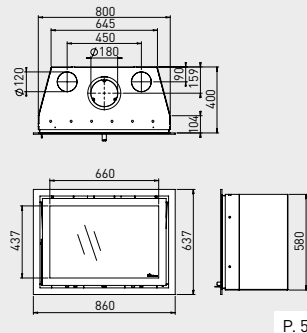
Instyle Front

**Instyle 700**  
+ Classic Line frame 4S



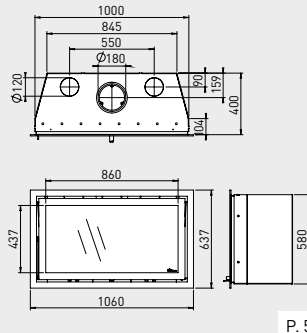
P. 57

**Instyle 800**  
+ Classic Line frame 4S



P. 57

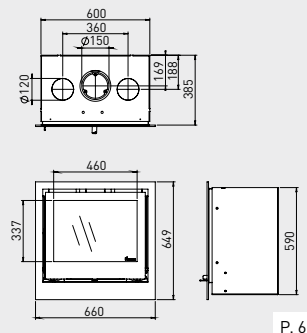
**Instyle 1000**  
+ Classic Line frame 4S



P. 57

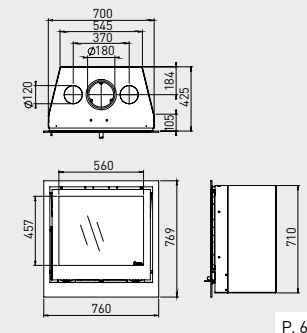
Instyle Ventilated

**Instyle 600V**  
+ Classic Line frame 4S



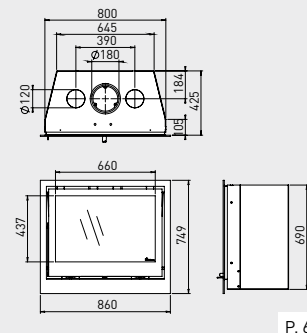
P. 63

**Instyle 700V**  
+ Classic Line frame 4S



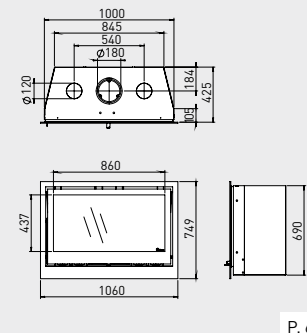
P. 63

**Instyle 800V**  
+ Classic Line frame 4S



P. 63

**Instyle 1000V**  
+ Classic Line frame 4S

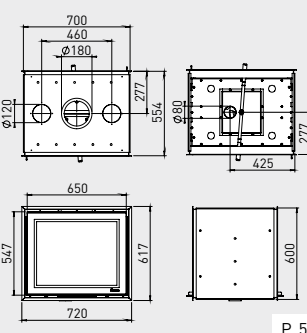


P. 63

**INSERT-/BUILT-IN FIRES PROSTYLE**

Prostyle Tunnel

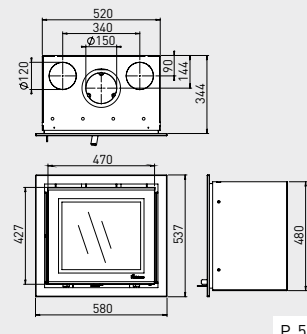
**Prostyle Tunnel 700**  
+ Slim Line frame



P. 51

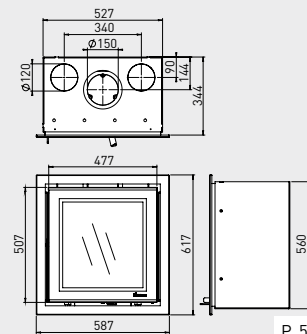
Prostyle Front

**Prostyle 500**  
+ Modern Line frame



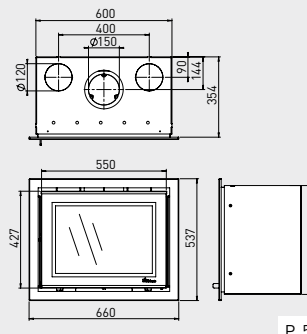
P. 58

**Prostyle 550**  
+ Modern Line frame



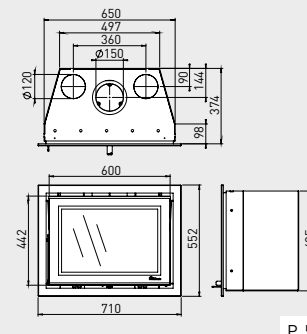
P. 58

**Prostyle 600**  
+ Modern Line frame



P. 58

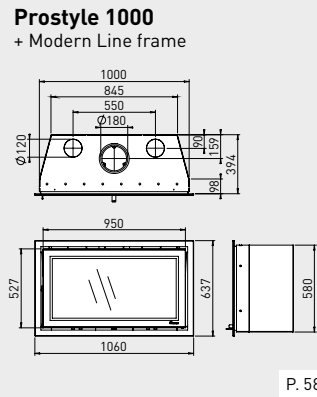
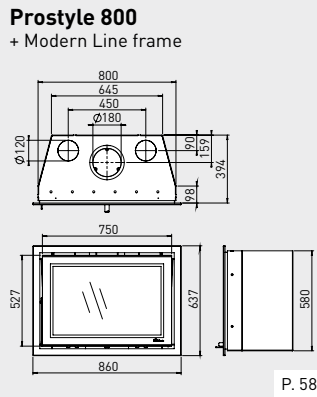
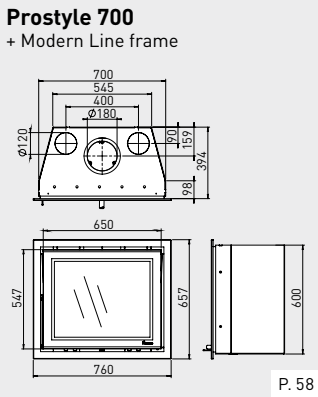
**Prostyle 650**  
+ Modern Line frame



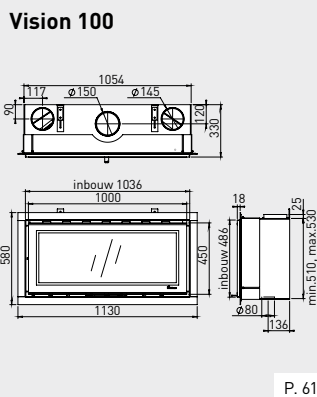
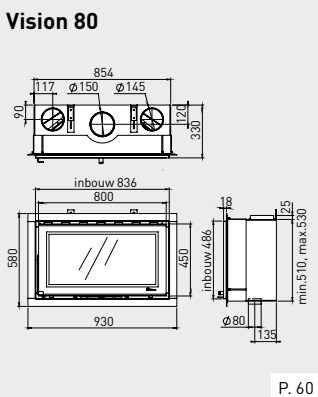
P. 58



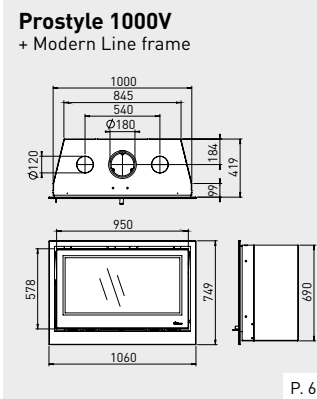
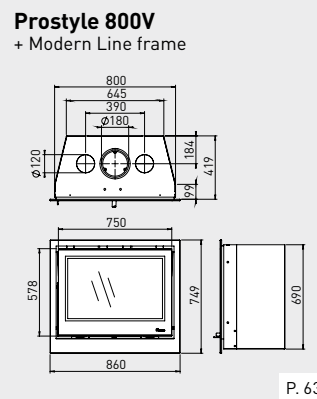
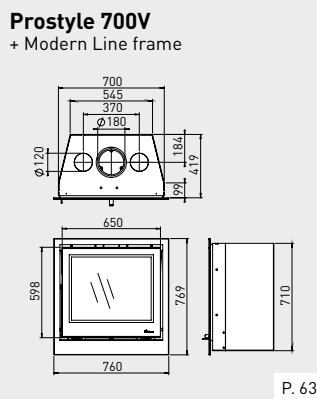
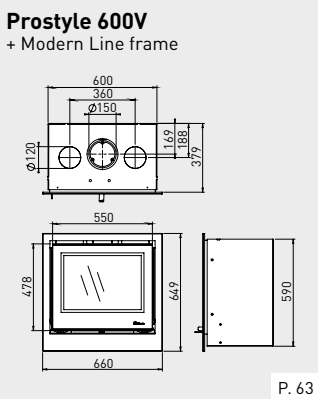
Prostyle Front



Vision

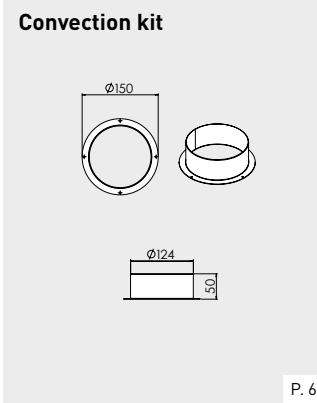
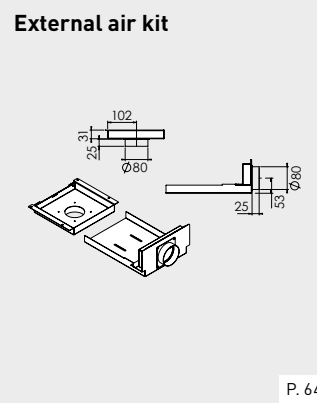
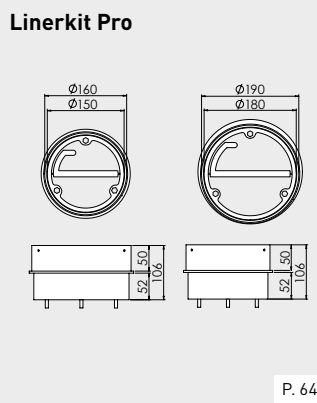
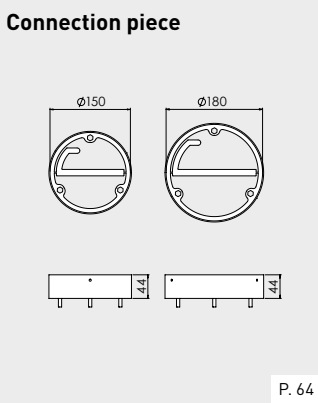


Prostyle Ventilated



INSERT-/BUILT-IN FIRES CONNECTION OPTIONS

Instyle / Prostyle



# Technical specifications

Page	Wood burning fireplaces and stoves	Net output (kW)	Efficiency (%)	Energy efficiency class	Flue upper (ø, mm)	Flue rear (ø, mm)	External air connection (EA)	External air connection (RS)	Maximum log length (cm)	Weight (kg)	Interior vermiculite natural	Interior vermiculite dark anthracite	Infrared glass (IR)	Type: wall	Type: freestanding	Type: free hanging	Type: insert	Type: built-in
<b>Design fires</b>																		
<b>Tunnel fires</b>																		
14	Odin Tunnel, Fixed	6,0 - 10,0	75,0	A	150	-	optional	-	33	85	-	+	-	-	-	+	-	-
15	Odin Tunnel, Plateau	6,0 - 10,0	75,0	A	150	-	optional	-	33	125	-	+	-	-	+	-	-	-
<b>Front fires</b>																		
12	Odin Front, Fixed <sup>3)</sup>	4,0 - 8,0	75,2	A	150	-	optional	-	33	85	-	+	-	-	-	+	-	-
12	Odin Front, Wall <sup>3)</sup>	4,0 - 8,0	75,2	A	150	-	optional	-	33	85	-	+	-	+	-	-	-	-
13	Odin Front, Plateau <sup>3)</sup>	4,0 - 8,0	75,2	A	150	-	optional	-	33	125	-	+	-	-	+	-	-	-
<b>2-sided fires</b>																		
16	Bora Corner, Cubes	4,0 - 9,0	78,1	A	150	-	optional	including	36	145	-	+	+	-	+	-	-	-
17	Bora Corner, Fixed	4,0 - 9,0	78,1	A	150	-	optional	including	36	95	-	+	+	-	-	+	-	-
17	Bora Corner, Floating Plateau	4,0 - 9,0	78,1	A	150	-	optional	including	36	145	-	+	+	-	+	-	-	-
18	Bora Corner, Straight Plateau	4,0 - 9,0	78,1	A	150	-	optional	including	36	140	-	+	+	-	+	-	-	-
19	Bora Corner, Wall	4,0 - 9,0	78,1	A	150	-	optional	including	36	95	-	+	+	-	-	-	-	-
20	Bora Wall	4 - 8	84,0	A+	150	-	+	-	25	80	+	-	-	+	-	-	-	-
21	Bora Fixed	4 - 8	84,0	A+	150	-	+	-	25	100	+	-	-	-	-	+	-	-
22	Bora Console	4 - 8	84,0	A+	150	-	+	-	25	130	+	-	-	+	-	-	-	-
23	Bora Cover	4 - 8	84,0	A+	150	-	+	-	25	120	+	-	-	+	-	-	-	-
23	Bora Flex	4 - 8	84,0	A+	150	-	+	-	25	130	+	-	-	-	-	+	-	-
24	Tornado Straight	4 - 8	84,0	A+	150	-	-	-	25	145	+	-	-	-	+	-	-	-
25	Tornado Oblique	4 - 8	84,0	A+	150	-	-	-	25	140	+	-	-	-	+	-	-	-
<b>Wood and multi-fuel stoves</b>																		
<b>3-sided fires</b>																		
28	Vidar Triple	4,0 - 9,0	88,0	A+	150	-	including	-	55	165	+	-	+	-	+	-	-	-
29	Vidar Wall	4,0 - 9,0	88,0	A+	150	-	including	-	55	125	+	-	+	+	-	-	-	-
30	Kalle	4,0 - 8,0	85,0	A+	150	150	including	-	40	130	+	-	-	-	+	-	-	-
31	Folke	4,0 - 8,0	77,3	A	150	150	optional	including	33	120	+	-	+	-	+	-	-	-
<b>Front fires</b>																		
33	Modivar 5, Store Front <sup>3)</sup>	4,0 -7,0	82,0	A+	125/130	125/130	optional	including	35	120	+	-	-	-	+	-	-	-
34	Modivar 5, Store Corner <sup>3)</sup>	4,0 -7,0	82,0	A+	125/130	125/130	optional	including	35	120	+	-	-	-	+	-	-	-
32	Modivar 5, Floating Plateau <sup>3)</sup>	4,0 -7,0	82,0	A+	125/130	125/130	optional	including	35	140	+	-	-	-	+	-	-	-
35	Modivar 5, Straight Plateau <sup>3)</sup>	4,0 -7,0	82,0	A+	125/130	125/130	optional	including	35	135	+	-	-	-	+	-	-	-
36	Aste 5 <sup>1)3)</sup>	4,9 -7,0	82,0	A+	125/130	125/130	optional	including	35	85	+	-	-	-	+	-	-	-
37	Lars 1000	4,9 -7,0	82,0	A+	125/130	125/130	optional	including	35	100	+	-	-	-	+	-	-	-
38	Ivar 5, Low <sup>1)3)</sup>	4,9 -7,0	82,0	A+	125/130	125/130	optional	including	35	85	+	-	-	-	+	-	-	-
40	Ivar 5, High <sup>1)3)</sup>	4,9 -7,0	82,0	A+	125/130	125/130	optional	including	35	90	+	-	-	-	+	-	-	-
41	Ivar 5, Store <sup>1)3)</sup>	4,9 -7,0	82,0	A+	125/130	125/130	optional	including	35	105	+	-	-	-	+	-	-	-
42	Ivar 8, Low <sup>1)3)</sup>	5,0 - 10,0	76,6	A	150	150	optional	including	46	100	+	-	-	-	+	-	-	-
43	Ivar 8, Store <sup>1)3)</sup>	5,0 - 10,0	76,6	A	150	150	optional	including	46	120	+	-	-	-	+	-	-	-
44	Jannik Medium, Low <sup>3)</sup>	4,9 -7,0	82,0	A+	125/130	125/130	optional	-	35	90	+	-	-	-	+	-	-	-
44	Jannik Medium, High <sup>3)</sup>	4,9 -7,0	82,0	A+	125/130	125/130	optional	-	35	90	+	-	-	-	+	-	-	-
45	Jannik Large	4,0 - 8,0	87,0	A+	130&150	130&150	optional	-	40	128	+	-	-	-	+	-	-	-

Page	Wood burning fireplaces and stoves	Net output (kW)	Efficiency (%)	Energy efficiency class	Flue upper (ø, mm)	Flue rear (ø, mm)	External air connection (EA)	External air connection (RS)	Maximum log length (cm)	Weight (kg)	Interior vermiculite natural	Interior vermiculite dark anthracite	Infrared glass (IR)	Type: wall	Type: freestanding	Type: free hanging	Type: insert	Type: built-in
<b>Inserts and build in wood fires</b>																		
<b>3-sided fires</b>																		
50	Instyle Triple 660 Low	4,0 - 9,0	88,0	A+	150	-	including	-	55	102	+	-	+	-	-	-	+	-
<b>2-sided fires</b>																		
52	Instyle Corner Slim 660/495 <sup>3)</sup>	4,0 - 10,0	75,2	A	150 <sup>2)</sup>	-	optional	including	51	110	+	-	-	-	-	-	+	+
54	Instyle Corner 660 High	4,0 - 9,0	83,0	A+	150	-	including	-	50	105	+	-	-	-	-	-	+	-
55	Instyle Corner 660 Low	4,0 - 9,0	83,0	A+	150	-	including	-	50	105	+	-	-	-	-	-	+	-
<b>Front fires</b>																		
57	Instyle 500 <sup>3)</sup>	3,0 - 7,0	82,0	A+	150	-	optional	-	35	80	+	-	-	-	-	-	+	+
57	Instyle 550 <sup>3)</sup>	3,0 - 7,0	81,0	A+	150	-	optional	-	36	94	+	-	-	-	-	-	+	+
57	Instyle 600 <sup>3)</sup>	3,0 - 7,0	79,6	A	150	-	optional	-	42	120	+	-	-	-	-	-	+	+
57	Instyle 650 <sup>3)</sup>	3,0 - 9,0	80,5	A+	150	-	optional	-	40	108	+	-	-	-	-	-	+	+
57	Instyle 700 <sup>3)</sup>	6,0 - 12,0	81,6	A+	180	-	optional	-	45	116	+	-	-	-	-	-	+	+
57	Instyle 800	8,0 - 12,0	76,6	A	180	-	optional	-	55	130	+	-	-	-	-	-	+	+
57	Instyle 1000	9,0 - 13,0	77,7	A	180	-	optional	-	75	145	+	-	-	-	-	-	+	+
58	Prostyle 500 <sup>3)</sup>	3,0 - 7,0	82,0	A+	150	-	optional	-	35	80	+	-	-	-	-	-	+	+
58	Prostyle 550 <sup>3)</sup>	3,0 - 7,0	81,0	A+	150	-	optional	-	36	94	+	-	-	-	-	-	+	+
58	Prostyle 600 <sup>3)</sup>	3,0 - 7,0	79,6	A	150	-	optional	-	42	120	+	-	-	-	-	-	+	+
58	Prostyle 650 <sup>3)</sup>	3,0 - 9,0	80,5	A+	150	-	optional	-	40	108	+	-	-	-	-	-	+	+
58	Prostyle 700 <sup>3)</sup>	6,0 - 12,0	81,6	A+	180	-	optional	-	45	116	+	-	-	-	-	-	+	+
58	Prostyle 800	8,0 - 12,0	76,6	A	180	-	optional	-	55	130	+	-	-	-	-	-	+	+
58	Prostyle 1000	9,0 - 13,0	77,7	A	180	-	optional	-	75	145	+	-	-	-	-	-	+	+
60	Vision 80	6 - 9	84,6	A+	150	-	optional	-	59	145	+	-	-	-	-	-	-	+
61	Vision 100	7 - 10	84,6	A+	150	-	optional	-	79	132	+	-	-	-	-	-	-	+
<b>Ventilated</b>																		
63	Instyle 600V/Prostyle 600V <sup>3)</sup>	4,0 - 7,0	79,6	A	150	-	optional	-	42	130	+	-	-	-	-	-	+	-
63	Instyle 700V/Prostyle 700V <sup>3)</sup>	8,0 - 12,0	81,9	A+	180	-	optional	-	45	126	+	-	-	-	-	-	+	-
63	Instyle 800V/Prostyle 800V <sup>3)</sup>	8,0 - 12,0	76,6	A	180	-	optional	-	55	140	+	-	-	-	-	-	+	-
63	Instyle 1000V/Prostyle 1000V <sup>3)</sup>	9,0 - 13,0	77,7	A	180	-	optional	-	75	155	+	-	-	-	-	-	+	-
<b>Tunnel fires</b>																		
51	Instyle Tunnel 700	9,0 - 12,0	83,0	A+	180	-	optional	including	52	140	+	-	-	-	-	-	+	+
51	Prostyle Tunnel 700	9,0 - 12,0	83,0	A+	180	-	optional	-	52	140	+	-	-	-	-	-	+	+

<sup>1)</sup> Multi-fuel kit available for burning multi-fuel/coal.

<sup>2)</sup> SlideConnect® = variable connection to the flue (can be shifted to 4 cm).

<sup>3)</sup> Defra approved = approved to use in smoke controlled areas.





Dealer

 **Dik Geurts**  
*Creation of flames*

DRU Verwarming B.V.  
P.O. Box 1021, 6920 BA Duiven  
Ratio 8, 6921 RW Duiven  
**The Netherlands**

T. +31 (0)26 - 319 5 319  
F. +31 (0)26 - 319 5 348  
[www.geurts.nl](http://www.geurts.nl)

Drugasar Ltd.  
Deans Road, Swinton  
Manchester, M27 0JH  
**United Kingdom**

T. +44 (0)161 - 793 8700  
F. +44 (0)161 - 727 8057  
[www.dikgeurts.uk](http://www.dikgeurts.uk)

DRU Belgium  
Kontichsesteenweg 69/1  
2630 Aartselaar  
**Belgium**

T. +32 (0)3 - 450 7000  
F. +32 (0)3 - 450 7009  
[www.dikgeurts.be](http://www.dikgeurts.be)



Dik Geurts is a trademark of DRU Verwarming B.V. Subject to changes. The colours in this brochure may vary from the actual products. Nothing in this publication may be used without prior written consent from DRU Verwarming B.V.



BY APPOINTMENT OF  
THE COURT OF THE NETHERLANDS